



December 10<sup>th</sup>, 2007

## **New Inspection and Preventative Maintenance (PM) Procedure for “Lamp Housing” for Microscopes or Inspection Equipment**

Thank you for choosing Olympus for your needs. As you may know, Olympus, among many other manufacturers, offers a wide breadth of products equipped with illumination devices, such as “lamp housings”, for microscopes, imaging systems, and inspection equipment. These lamp housings are typically sold as accessories. Olympus takes great pride in assuring the quality of the products we offer and in support of this philosophy, we recommend a new inspection and preventative maintenance procedure for all lamp housings.

Product lifetime of any illumination device can be affected by various usage conditions (i.e., ambient temperature, humidity, power supply voltage, illumination time period, etc.), including usage over prolonged periods of time. As a guideline, we consider either 8 years of 8- hour/day usage or 20,000 illumination hours, whichever occurs first, as the typical life of a lamp housing. (This does not constitute the warranty period.)

During the lifetime of your illumination device, it is recommended that users visually inspect the lamp housing and perform the attached preventative maintenance (PM) procedure on a regular basis and every time the lamp is changed. If any signs of smoke are noted during use, immediately turn off the unit and call for service. (We have no concerns or reports of a fire hazard or exposure to electrical shocks due to smoke from a lamp housing, but this should be an alert for immediate service repair.)

We do strongly recommend performing the Inspection and PM procedures according to the [“Preventive Inspection Sheet for Illumination Devices \(Lamp Housings\)”](#). We encourage you to make this part of your maintenance best practices to reduce or eliminate downtime and maintain safe operation.

Examples of illumination devices for routine inspection:



Note: The above are some examples of lamp housing units. You may encounter various other models not shown here. Any illumination device should be inspected regularly, even if it is not shown here.

## Preventive Inspection Sheet for Illumination Devices (Lamp Housings)

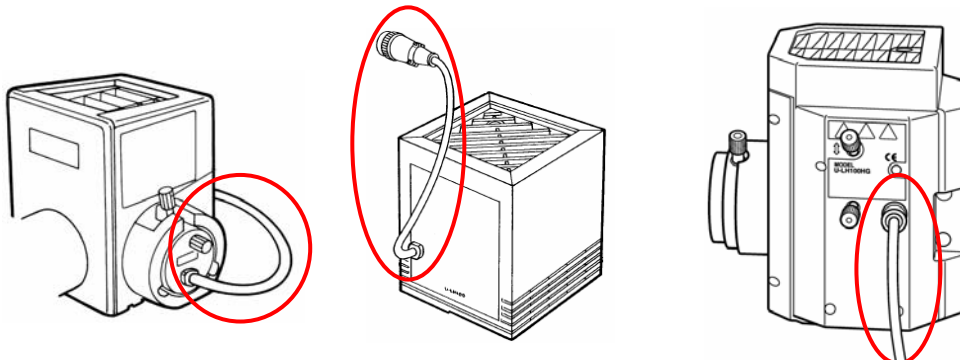
- Study the instruction manual as well before inspection.
  - We recommend performing “Preventive Inspections” periodically (every time you replace lamps and at least once every 6 months).
  - The table below identifies the check items to be observed. Put (X) if not applicable or (√) if applicable.
  - If there are any check marks (√) noted, **immediately stop use of the product** and seek service or replacement for the illumination device(s) for prevention.
  - If you detect an abnormality other than that listed below with your illumination device or other Olympus product, request inspection from your Olympus distributor
- If you have any questions, please contact your Olympus distributor.

Check items	Check results(Date)			
	/	/	/	/
1. More than 8 years have passed since original purchase or exceeds 20,000 hours of use.				
2. Lamp does not light sometimes, even though the power is on. (Except discharge burners* <sup>1</sup> .)				
3. Light flickers when you move a lamp cable* <sup>2</sup> or illumination devices.				
4. Lamp cable* <sup>2</sup> is unusually hot to the touch.				
5. Burning or smoke odor.				
6. Light still flickers after new lamp replacement. (Except discharge burners* <sup>1</sup> )				
7. Signs of deformation, backlash, or looseness, etc. when you assemble/disassemble the illumination device. (I.e. It is hard to open/ close the lid during lamp-replacement.)				
8. Connection terminals* <sup>3</sup> or a lamp installation terminal* <sup>4</sup> have become discolored or tarnished on the right or left side. (Except discharge burners* <sup>1</sup> )				
9. Illumination device/ housing has become deformed, cracked or tarnished in any way.				
10. Lamp cables* <sup>2</sup> or wiring parts have become deformed, cracked or tarnished in any way.				
11. Frequent repairs to similar devices put into use at the same time as the unit being checked.				

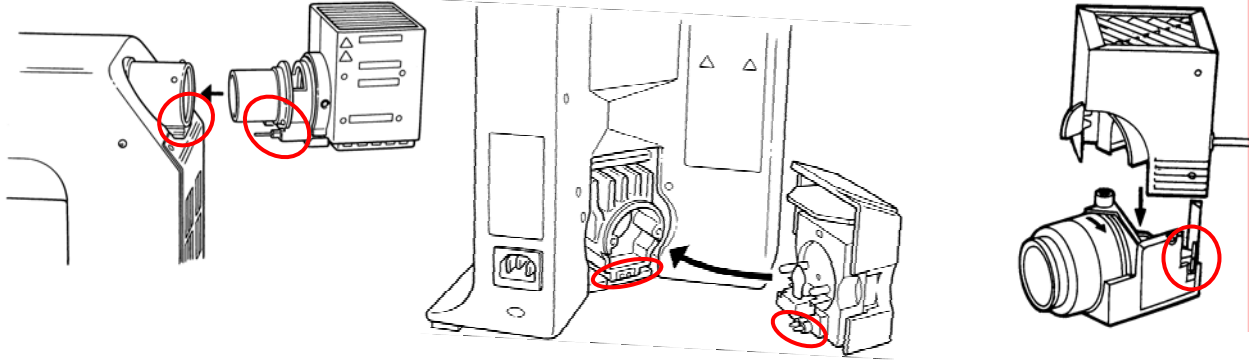
※ If the spaces are not enough for check, copy this sheet.

\*1 Discharge burners: Mercury burner / xenon burner / metal halide burner

\*2 Example of a lamp cable (Other models may not be shown here.)



\*3 Example of connection terminals (Other models may not be shown here.)



\*4 Example of a lamp installation terminal (Other models may not be shown here.)

